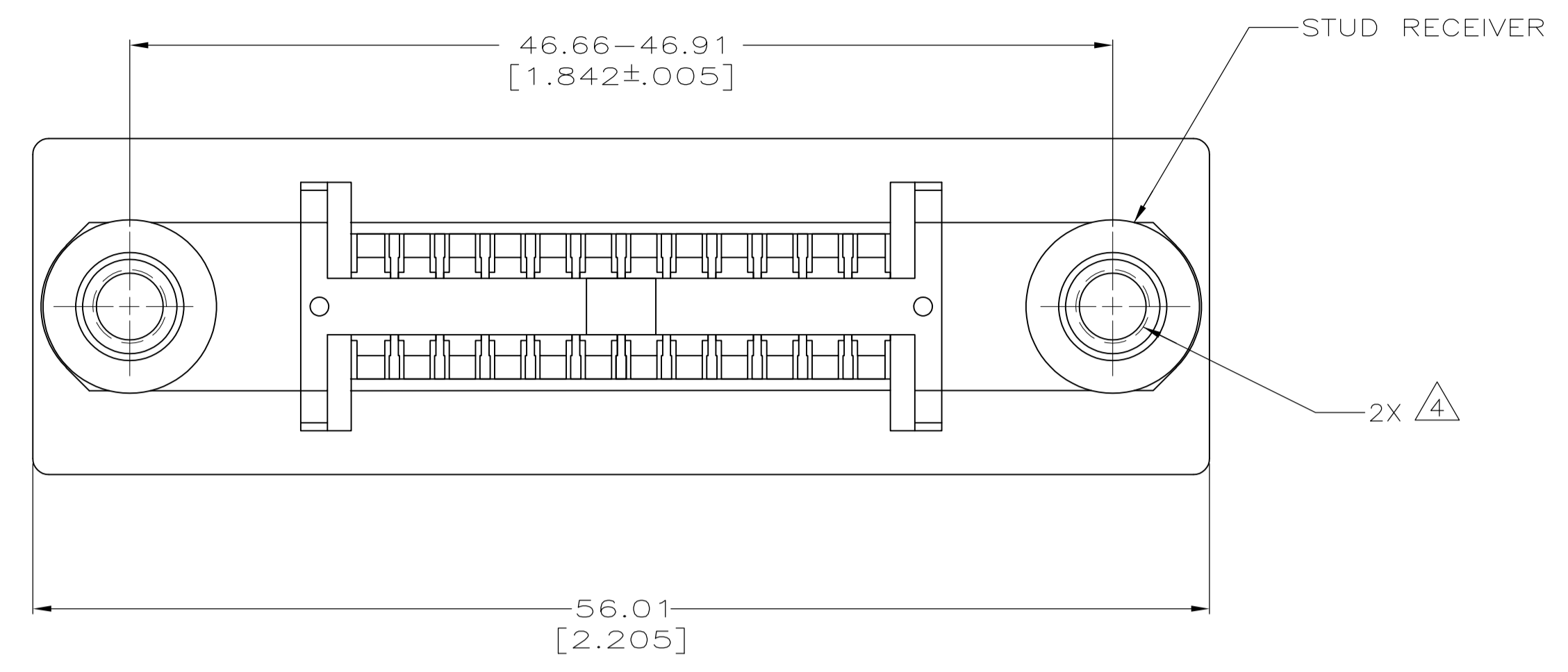
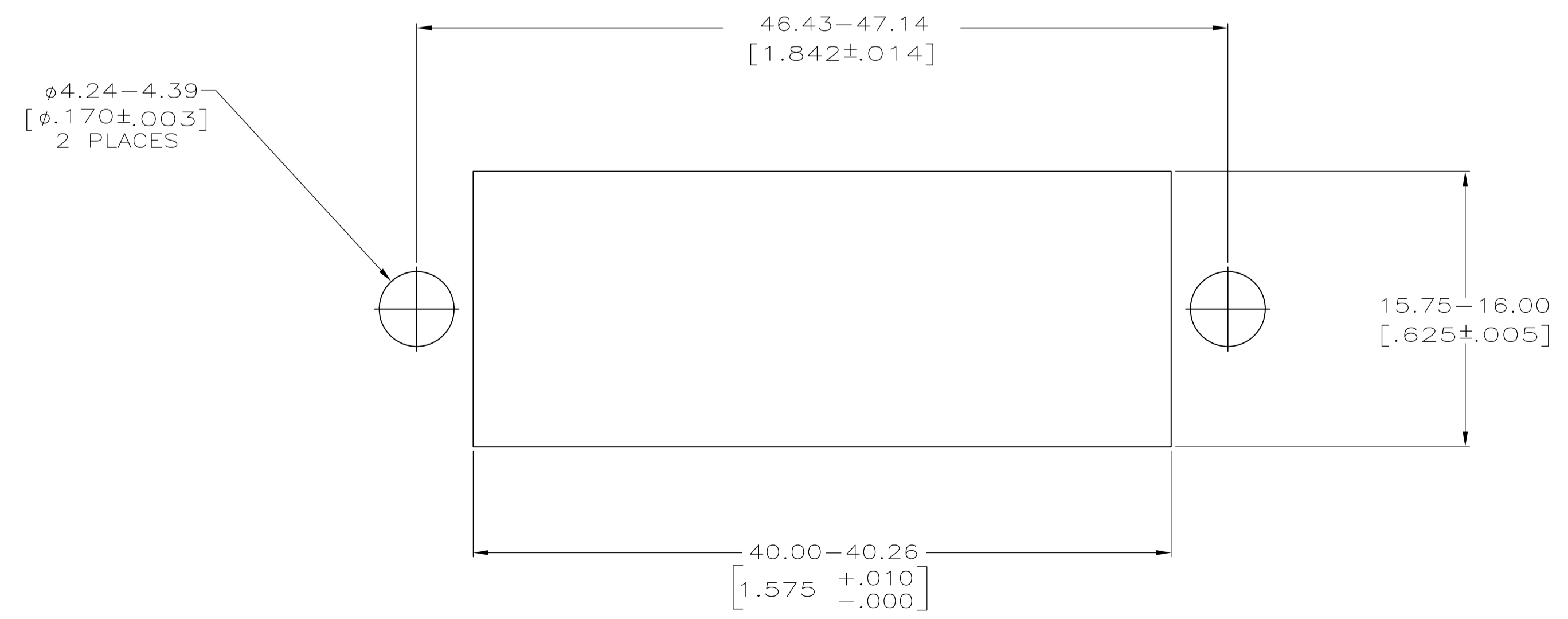
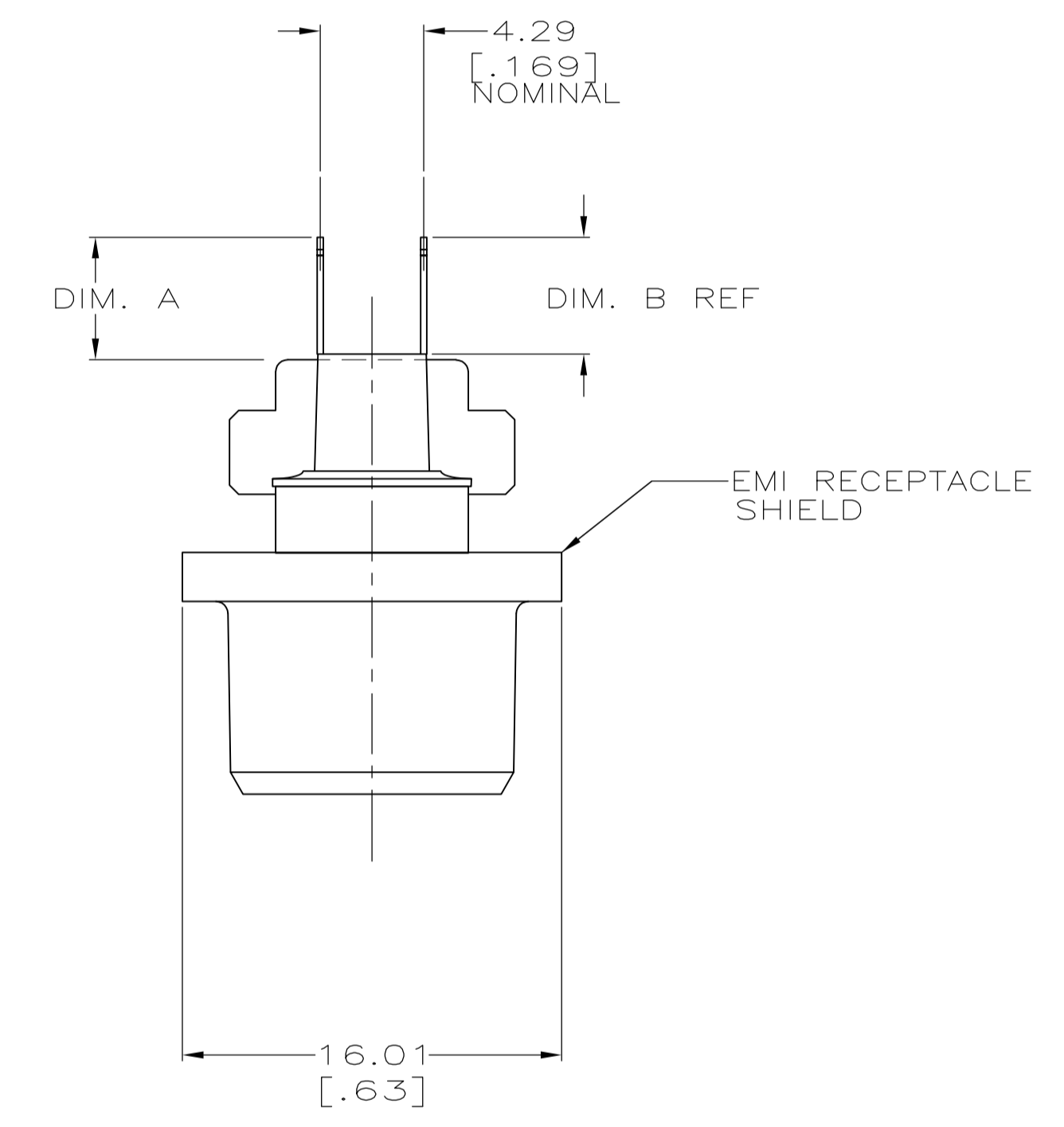
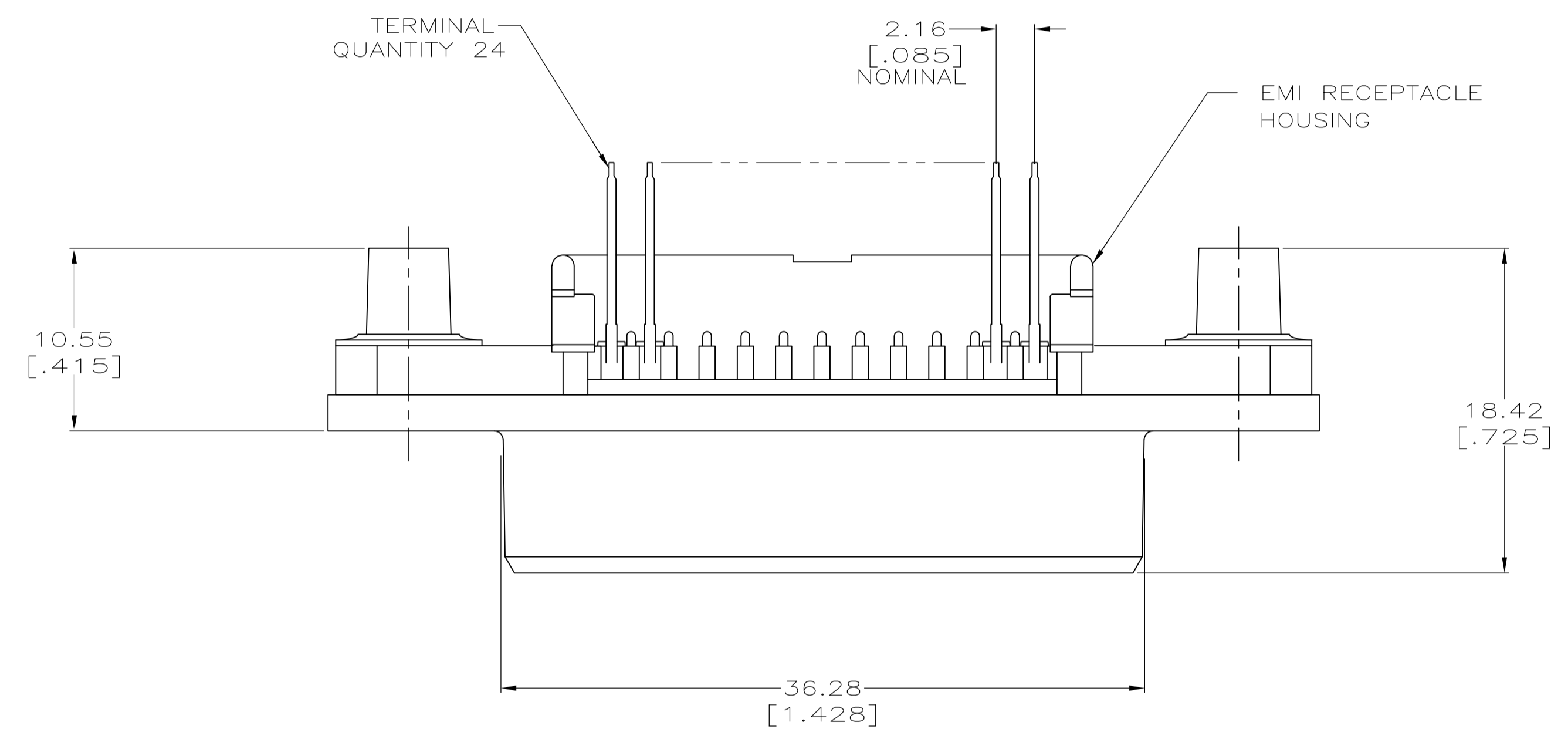


LOC		DIST		REVISIONS			
GP	00	REV	DATE	BY	APPD	DATE	BY
B		REVISED PER ECO-08-007327	22JUL08	BM	WM		



- $\triangle 1$  ALL DIMENSIONS SHOWN ARE MAXIMUM UNLESS OTHERWISE SPECIFIED.
2. THE CONTACT SURFACES OF THE TERMINALS ARE COATED WITH LUBRICANT.
- $\triangle 3$  MATERIAL: HOUSING - POLYESTER, BLACK.  
 TERMINAL - PHOS BRONZE PLATED WITH EITHER 0.76 $\mu$ m [.000030] MINIMUM GOLD PLATE OR GOLD FLASH OVER PALLADIUM NICKEL PLATE, 0.76 $\mu$ m [.000030] MINIMUM TOTAL ON MATING SURFACE. 3.05 $\mu$ m [.000120] MINIMUM TIN PLATE ON TAILS OVER 1.27 $\mu$ m [.000050] MINIMUM NICKEL UNDERPLATE OVER ENTIRE TERMINAL.  
 STUD RECEIVER - STAINLESS STEEL  
 SHIELD - NICKEL PLATED ZINC DIE CASTING.
- $\triangle 4$  HOLES TO BE TAPPED AFTER PLATING.



SUGGESTED REAR PANEL CUTOUT DIMENSIONS

SIZE	CAGE CODE	DRAWING NO	RESTRICTED TO
4-40 UNC-2B	3.05[.120]	3.81[.150]	5554501-3
6-32 UNC-2B	4.70[.185]	5.47[.215]	5554501-2
6-32 UNC-2B	3.05[.120]	3.81[.150]	5554501-1

THIS DRAWING IS A CONTROLLED DOCUMENT.

DIMENSIONS: mm [INCHES]	TOLERANCES UNLESS OTHERWISE SPECIFIED:	0 PLC ± -	1 PLC ± -	2 PLC ± -	3 PLC ± -	4 PLC ± -	ANGLES ± -
	$\triangle 1$						

DIN B	LATTUCA	11AUG05	Tyco Electronics Corporation Harrisburg, PA 17105-3608
CHK	W. MILLHIMES	11AUG05	
APPD	M. WALMSLEY	11AUG05	NAME: RECEPTACLE ASSEMBLY, 24 POSITION, VERTICAL MOUNTING, SHIELDED, SCREW LOCK, CHAMP-LOK®
PRODUCT SPEC			
APPLICATION SPEC			SIZE: A1
WEIGHT			CAGE CODE: 00779
			DRAWING NO: 5554501
			RESTRICTED TO: -

CUSTOMER DRAWING SCALE: 4:1 SHEET 1 OF 1 REV B